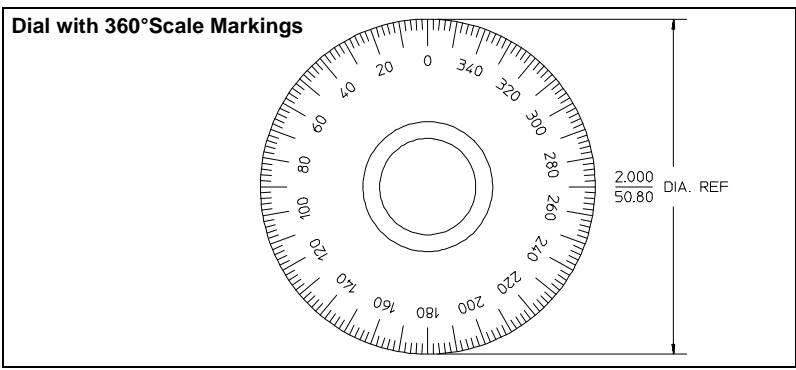
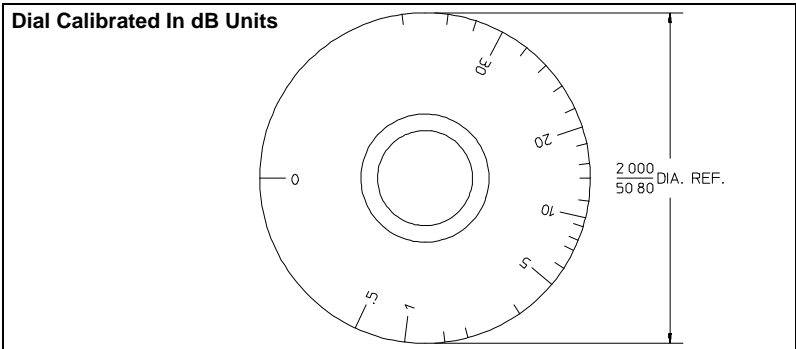




PRINCIPAL SPECIFICATIONS

Model Number	Mechanical Configuration	Frequency Range, GHz	Frequency Performance, GHz	Atten. Range, dB, Nom.	Insertion Loss, dB, Max	Flatness, dB, Max.	Connector Style	Weight, oz.(g) Nom.)
AU-26AN	360° Dial Scale	1.0 - 10.0	1 - 2 2 - 10	0 - 15 0 - 30	0.5	—	N (m-f)	15 (420)
AU-26AN-**G	Dial Calibrated at Specified Frequency	1.0 - 10.0	1 - 2 2 - 10	0 - 15 0 - 30	0.5	—	N (m-f)	15 (420)
AU-26AX	360° Dial Scale	1.0 - 10.0	1 - 2 2 - 10	0 - 15 0 - 30	0.5	—	SMA (f-f)	13 (364)
AU-26AX-**G	Dial Calibrated at Specified Frequency	1.0 - 10.0	1 - 2 2 - 10	0 - 15 0 - 30	0.5	—	SMA (f-f)	13 (364)
AU-26GN	Calibrated in dB	5.0 - 8.0	5 - 8	0 - 30	0.5	± 0.5 [†]	N (m-f)	15 (420)
AU-26GX	Calibrated in dB	5.0 - 8.0	5 - 8	0 - 30	0.5	± 0.5 [†]	SMA (f-f)	13 (364)
AU-26HN	Calibrated in dB	7.0 - 11.0	7 - 11	0 - 30	0.5	± 0.5 [†]	N (m-f)	15 (420)
AU-26HX	Calibrated in dB	7.0 - 11.0	7 - 11	0 - 30	0.5	± 0.5 [†]	SMA (f-f)	13 (364)

For complete Model Number replace ** with desired Frequency Range in GHz. † Or ±5%



GENERAL SPECIFICATIONS

Impedance, nominal: 50 Ω
 Power : 4 W max.
 VSWR: Up to 10 GHz: 1.5:1 max.
 Above 10 GHz: 1.8:1 max.
 Operating Temperature: - 55° to +85°C

General Notes:

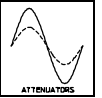
28Feb96

1. The AU-26 series of Ferrite Attenuators has been designed for wideband ECM, EW and radar systems and other applications in the 1 to 11 GHz frequency band where precise attenuation must be maintained over a wide variety of military laboratory environments. Applications include signal and LO power control, automatic level control and impedance matching.
2. The AU-26 series of attenuators uses ferrite absorption of microwave energy for long term stability and high reliability.
3. These units can be supplied screened to meet military and commercial high reliability applications.

AU-26 Series

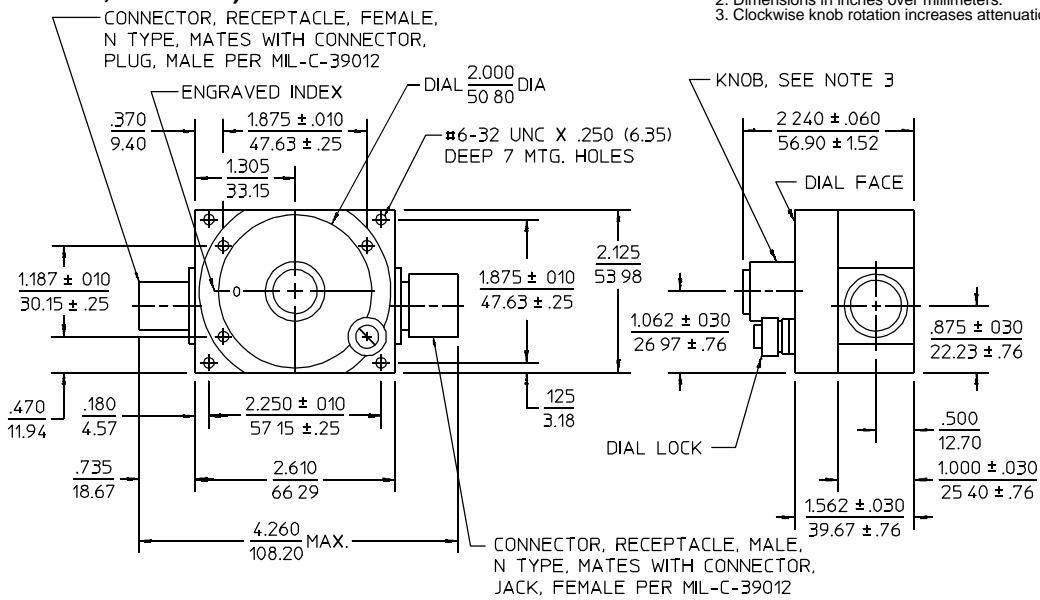
MICROWAVE ATTENUATORS

1 to 11 GHz / 0 to 30 dB Attenuation / High Attenuation Levels / Low Insertion Loss / SMA & N



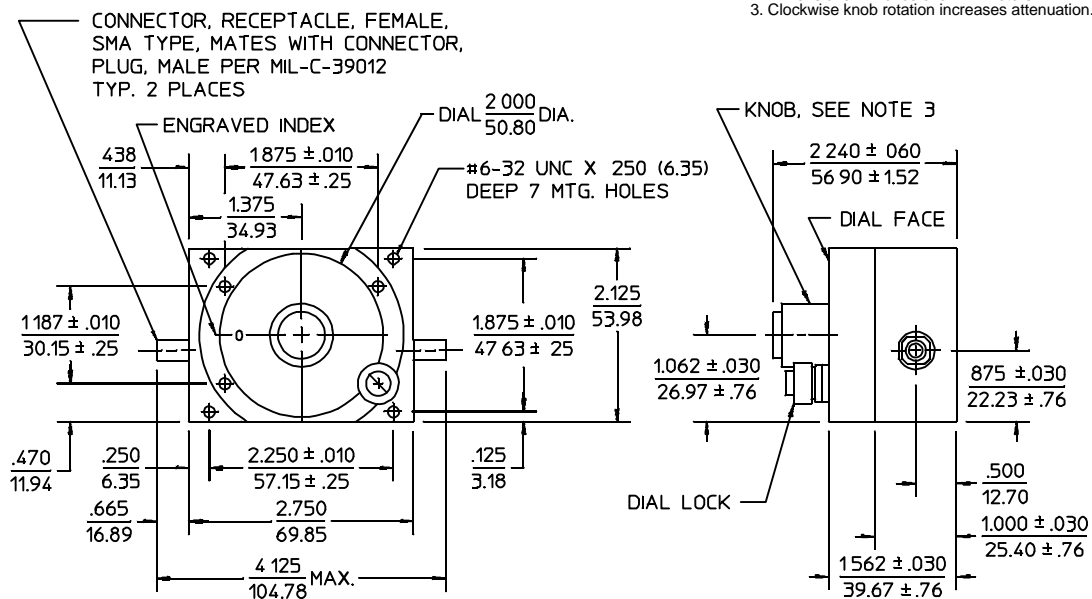
AU-26AN (& AU-26GN, AU-26HN)

NOTES: 1. Tolerance on 3 place decimals $\pm .020(.51)$ except as noted.
2. Dimensions in inches over millimeters.
3. Clockwise knob rotation increases attenuation.



AU-26AX (& AU-26GX, AU-26HX)

NOTES: 1. Tolerance on 3 place decimals $\pm .020(.51)$ except as noted.
2. Dimensions in inches over millimeters.
3. Clockwise knob rotation increases attenuation.



25Mar96